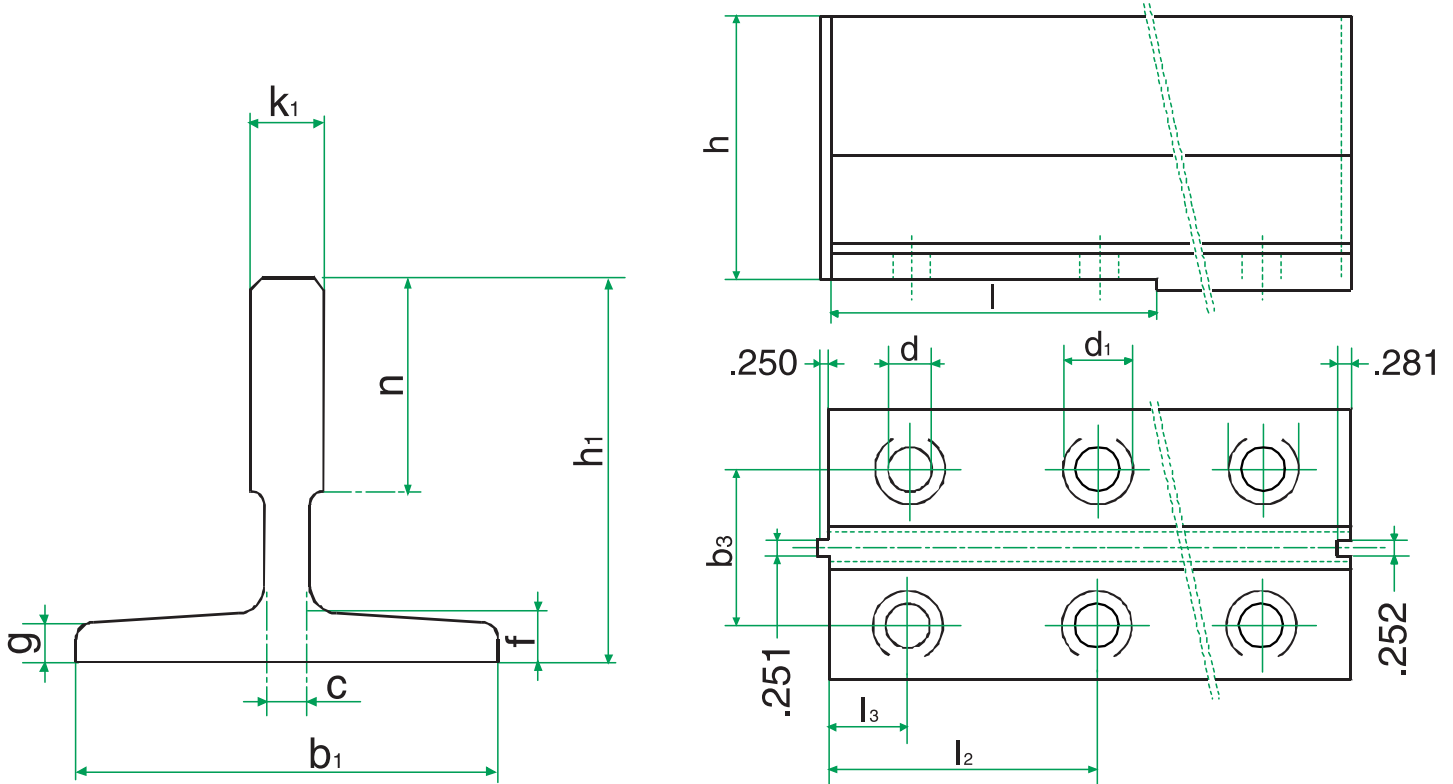


Savera... North America's Exclusive Distributor



Rail	Weight lbs./ft.	b_1	h_1	h	l	k_1	n	c	g	f	d	d_1	b_3	l_2	l_3
T89-B (T-161)	8.27	3.504	2.441	2.402	6.142	.630	1.339	.394	.311	.437	.512	1.024	2.252	4.500	1.500
T127-1/B (T-709)	11.94	5.000	3.504	3.465	6.142	.630	1.772	.394	.315	.433	.669	1.299	3.126	4.500	1.500
T127-2/B (T-160)	15.11	5.000	3.504	3.465	6.142	.630	2.008	.394	.500	.626	.669	1.299	3.126	4.500	1.500
T140-1/B (T-171)	18.55	5.512	4.252	4.213	7.598	.748	2.008	.500	.500	.626	.827	1.575	3.626	6.000	1.252
T140-2/B (T-169)	22.79	5.512	4.016	3.976	7.598	1.126	2.008	.689	.571	.689	.827	1.575	3.626	6.000	1.252
T140-3/B (T-162)	30.91	5.512	5.000	4.961	7.598	1.250	2.244	.748	.689	1.000	.827	1.575	3.626	6.000	1.252

FOR EXACT TOLERANCES AND MORE COMPLETE ENGINEERING DATA PLEASE REQUEST A SAVERA GUIDE RAIL CATALOG