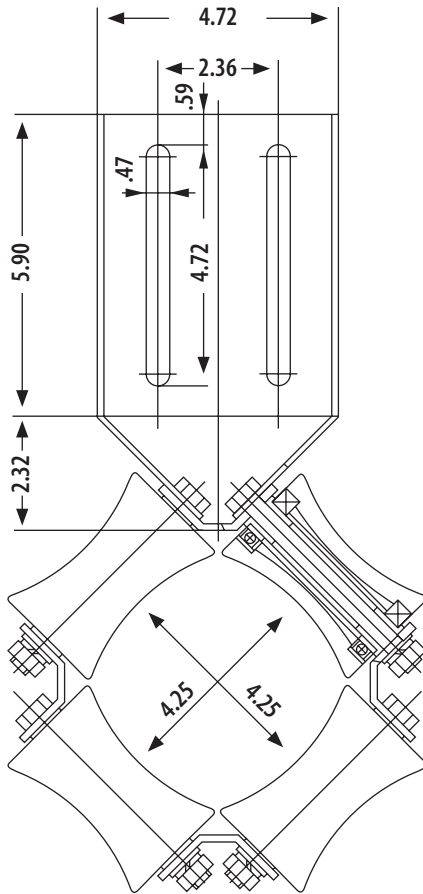
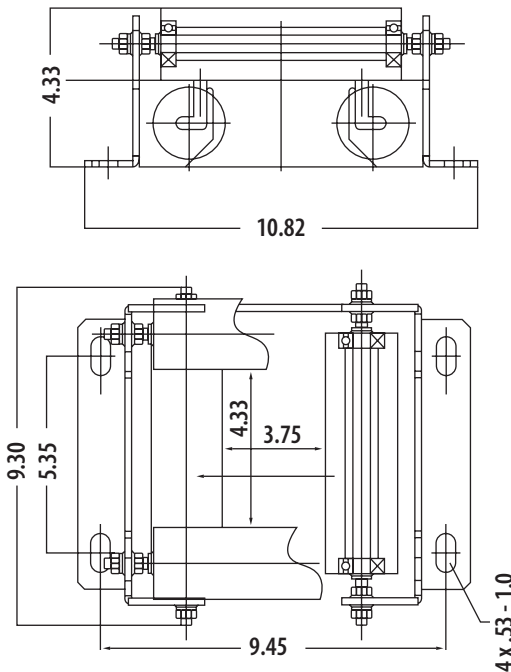


DR-L



DR-H



DAMPENING DEVICES

PFEIFER DRAKO

Drako Dampening Devices DR-L and DR-H are recommended to ensure a smooth ride. The table below is a guide for choosing the proper model. Two dampening devices are recommended for speeds above 350 feet/min or travel over 500 feet.

Dampening Devices are used to minimize cable or chain sway in the hoistway. This can occur at higher speeds or sudden stops. They can also be used on slower elevators with special or unique conditions.

Proper installation of DR-L or DR-H requires the cable or chain to be centered in the device. It should not touch the rollers when the car is at rest.

It is important to ensure that the suspension points at the platform and/or the counterweights are vertically aligned through the dampening device.

Elevator Speed	DRAKO EcoBalance	DRAKO ComfortBalance
200 – 350 ft./min	DR-L	DR-L / DR-H
350 – 600 ft./min	–	DR-L / DR-H